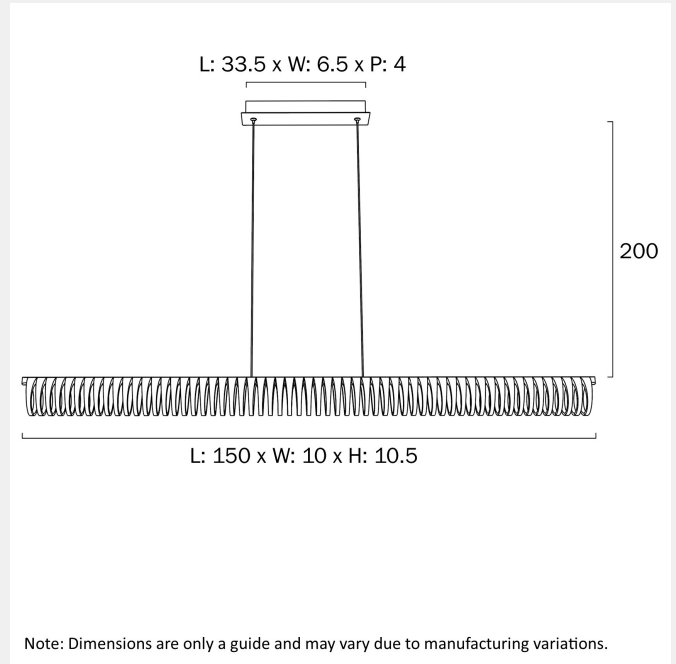


## ROMAY LINEAR PENDANT LIGHT



### LIGHT SOURCE

**Voltage Input**

240V

**Total Wattage (max)**

38

**Wattage**

0

**Globe Type**

LED integrated SMD

**Globe / Light Source qty**

0

**Globe / Light Source included**

Yes

**Color Kelvin**

3 CCT (3000k - 4000k - 5000k)

**Color Temperature**

Warm White; Natural White; Cool White

**Dimmable**

Yes - TRIAC

**Lumens**

3140

**CRI (Color Rendering Index)**

>93

**Surge Protection (Yes/No)**

0

### SPECIFICATIONS

**Lead and Plug**

0

**IP rating**

IP20

**Suspension Type**

0

**Height Adjustable?**

Yes

**Raked Ceiling Compatible**

0

**Mounting**

0

**Electrical Protection**

CLASS I - HIGH VOLTAGE, EARTH REQUIRED

**Beam Angle (degree)**

0

Control Gear Included

## COLOUR AND MATERIAL

---

Fixture Material

Aluminium, Iron, Acrylic

Fixture Finish

Fixture Pantone Color

Glass Color

Diffuser Material

## WARRANTY

---

Replacement Warranty

\*3 Years

## PRODUCT DIMENSIONS

---

Fixture Weight (Kg)

3.2

Fixture Diameter (cm)

0

Fixture Height (cm)

10.5

Fixture Length (cm)

150

Fixture Width (cm)

10

Suspension Length (cm)

200

## OTHER

---

Installation Required

Yes (by Licensed Electrician only)

Additional Functions

## CARE

---

### Care Instructions

Do not use strong liquid cleaners. Wipe clean with a dry cloth. Aluminium, Brass and Stainless Steel will naturally oxidise and change overtime. Exterior products require regular four (4) monthly cleaning and maintenance to ensure they do not accumulate dirt or other environmental deposits. Wipe the product with a mild detergent and warm water to remove surface deposits. Rinse with fresh water and wipe dry with a soft cloth. An extra temporary protection barrier of water displacement oil can help to maintain the surface, such as WD40, sprayed onto a soft cloth and rubbed onto the surface.

## VARIANTS

---

[ROMAY PE150-BKOP] ROMAY  
LINEAR PENDANT LIGHT



9329501083543

Find ROMAY LINEAR PENDANT LIGHT on  
[www.telbix.com](http://www.telbix.com)

