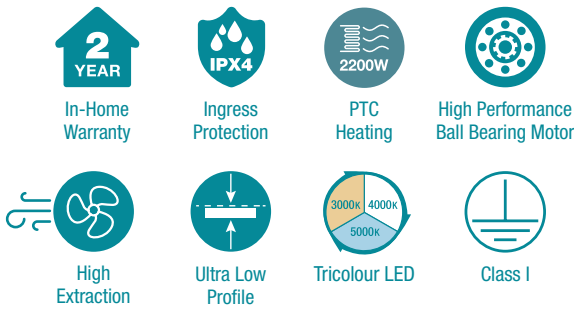
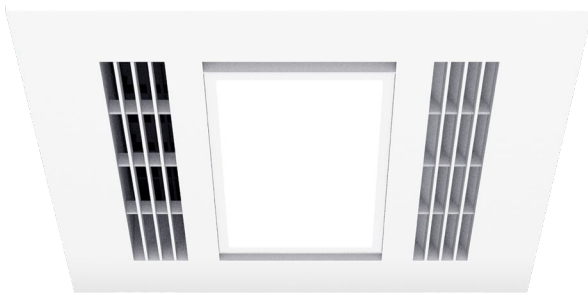


4-IN-1 BATHROOM HEATER COOLER / EXHAUST FAN / LIGHT



Model Number

MBHFM2200W

Features

- Sleek and low profile designed to suit any bathroom application
- Variable cutout for retro-fit
- Polypropylene (PP) housing with polycarbonate (PC) fascia
- Features a dedicated 18W Tricolour LED panel light
- Built in thermal overload protection
- Efficient fan only / cooling function
- Back draft stopper included
- Cut-out template included
- Compatible with Martec Bathroom Remote MBHPTKIT (not included)

SPECIFICATIONS

Model Name	Furnace Mini
Model Number	MBHFM2200W Matt White
Air Extraction m³/hr	330m ³ /hr
Exhaust Fan Wattage	40W
Voltage/Frequency	220-240Va.c. 50-60Hz
Materials / Housing	Polypropylene housing
Cutout Size	330 x 330mm retro fit up to 350 x 350mm
Decibel Rating	≤40dB
IPX Rating	IPX4
Heating Wattage / Type	2200W PTC
Lighting Wattage / Type	18W LED
Colour Temperature	3000K / 4000K / 5000K
Lumens Output	1200lm / 1190lm / 1180lm
Minimum Ceiling Depth	200mm
Ducting Size	100mm
Accessories Included	1x 1.5m duct 2x clips for ducting 1x external grille 1 x 4 gang switch wall controller

SHIPPING

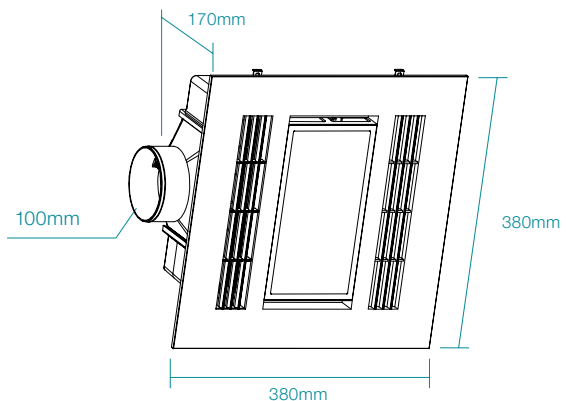
Model Number	Carton Size			Carton Quantity	Carton Gross Weight
	H	W	L		
MBHFM2200W	452mm	223mm	420mm	2	5.5kg

INSTALLATION & WARRANTY

Installation	By Licensed electrician only
Warranty	2 Year In-Home Warranty

*For further information regarding warranty terms and conditions, please visit our website: <https://www.martec.com.au/warranty-statement/>
Warranty is void unless installed by a licensed electrician.

DIMENSIONS



AVAILABLE COLOURS



Model	Colour	Barcode
MBHFM2200W	Matt White	



Aust/NZ Approval No.
GMA-XXXXXX-XX